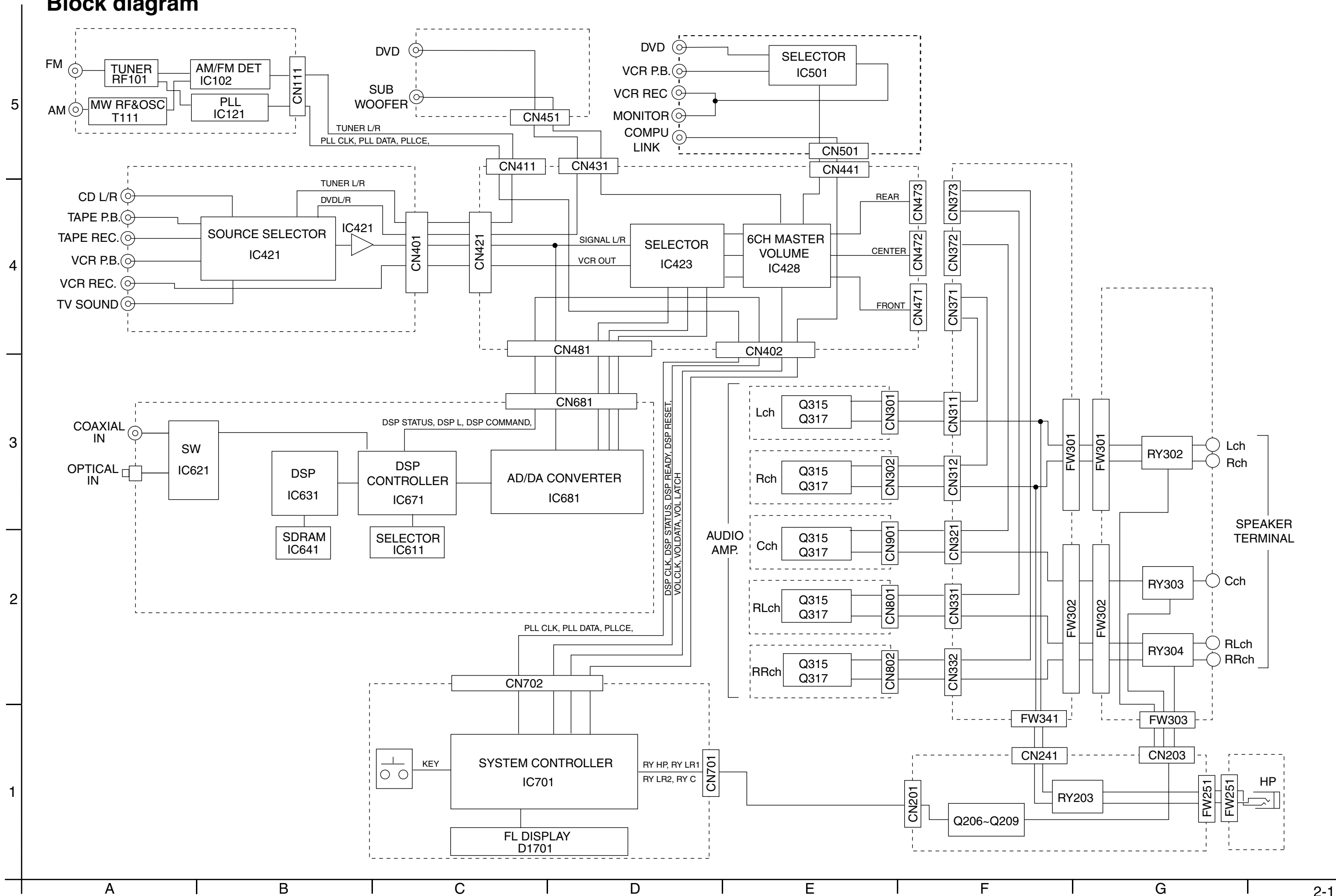
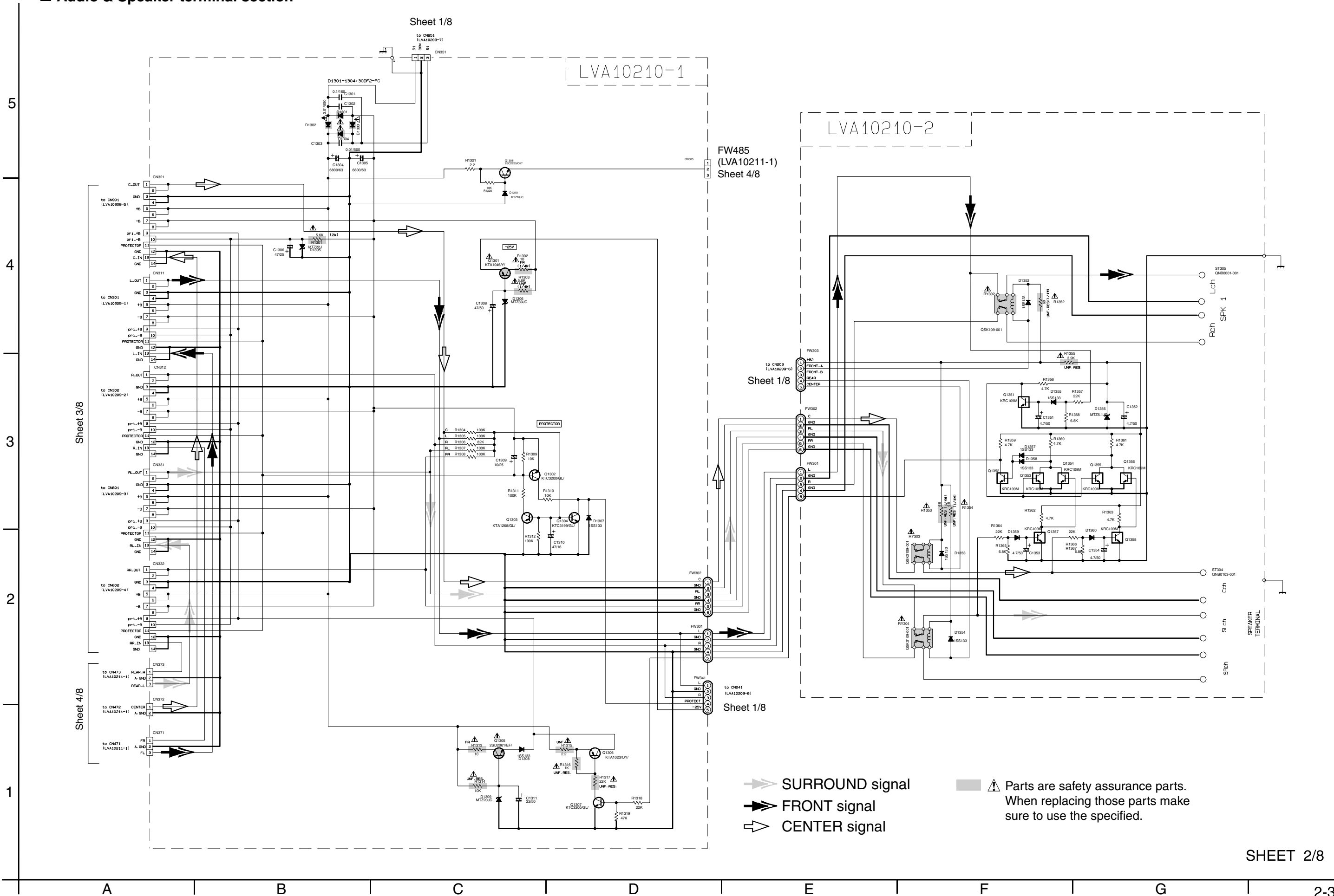


Block diagram



■ Audio & Speaker terminal section

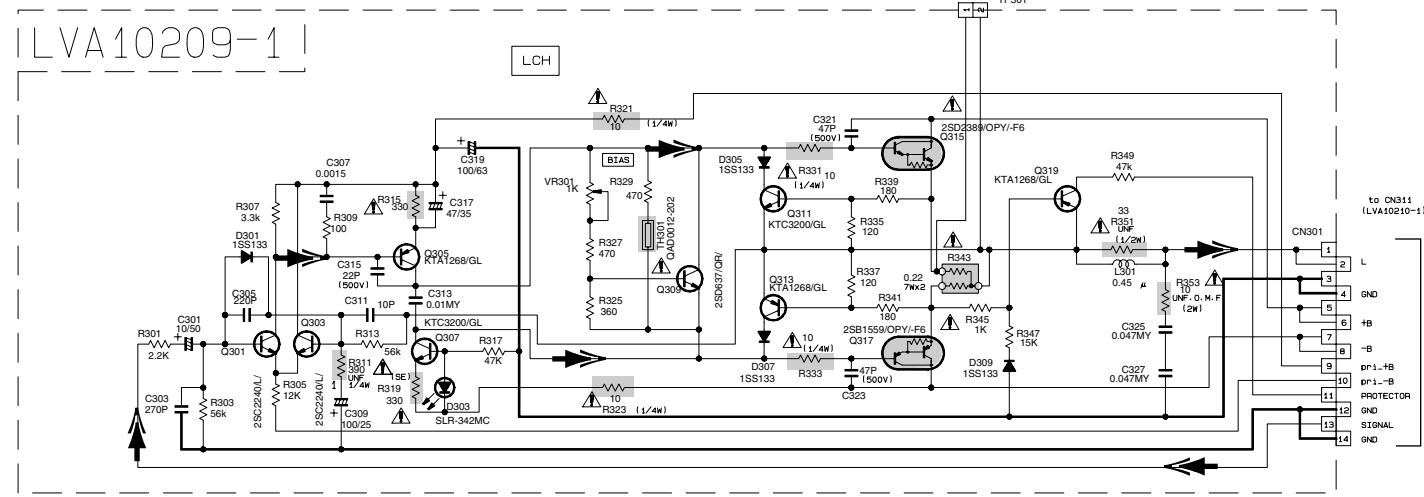


SURROUND signal
 FRONT signal
 CENTER signal

Parts are safety assurance parts.
 When replacing those parts make
 sure to use the specified.

■ Audio amplifier section

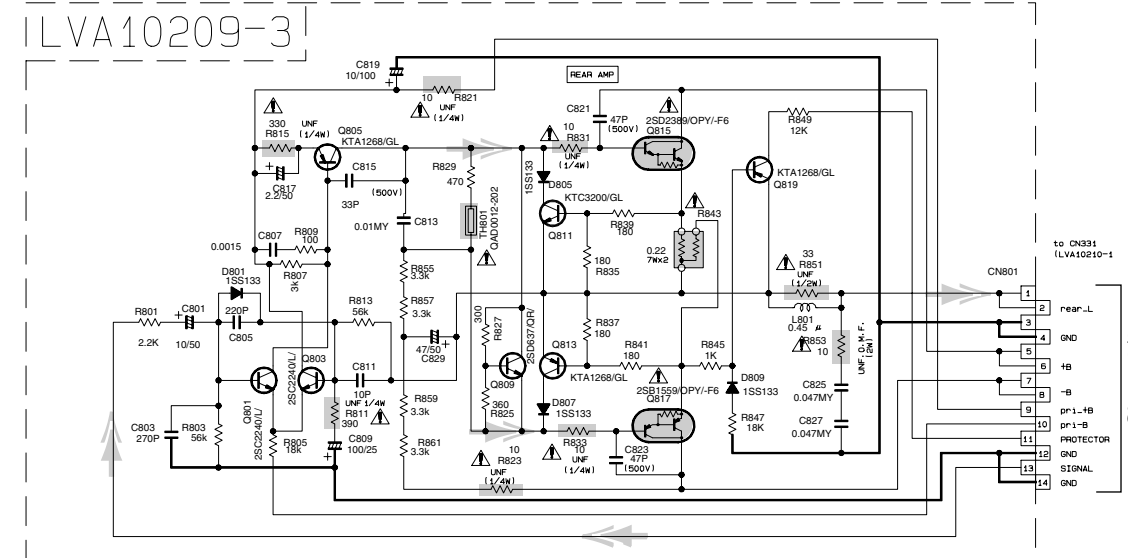
5



Sheet 2/8

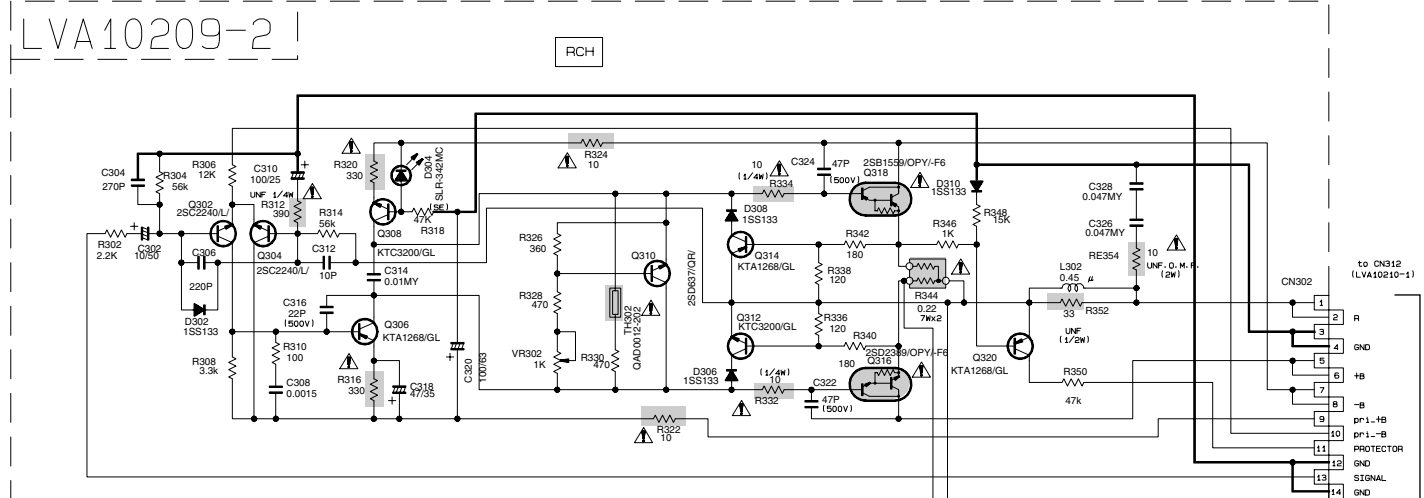
Sheet 2/8

4



Sheet 2/8

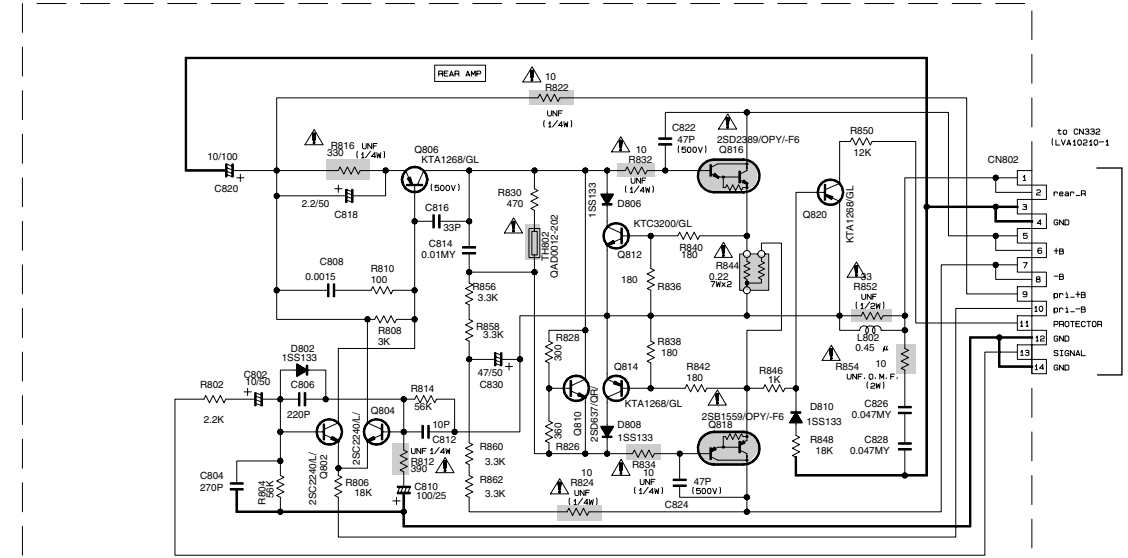
3



Sheet 2/8

Sheet 2/8

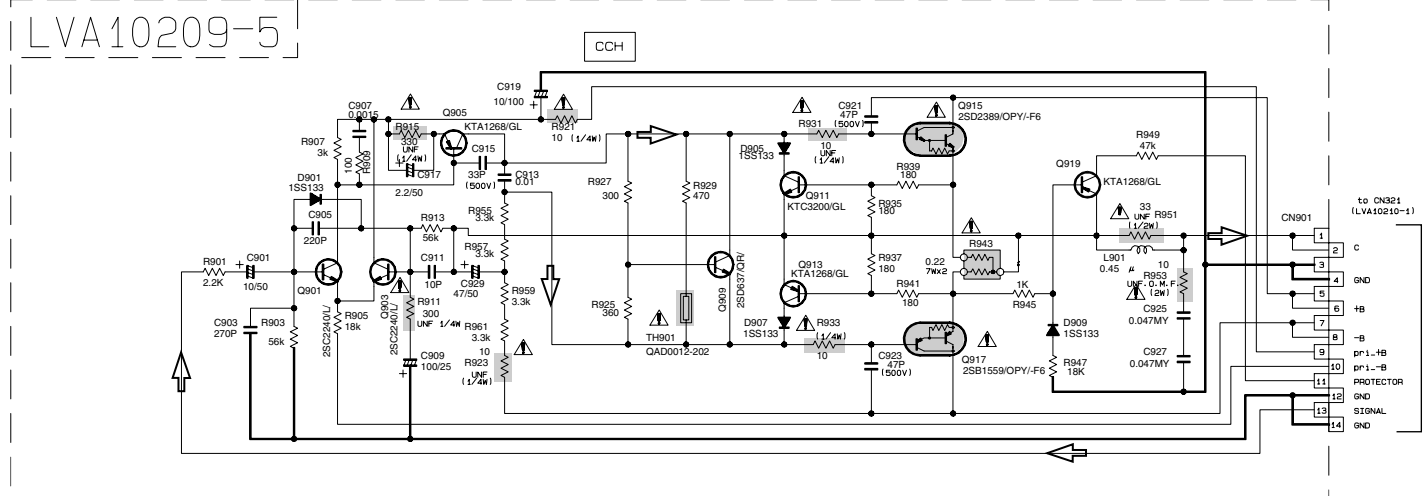
2



Sheet 2/8

Sheet 2/8

1

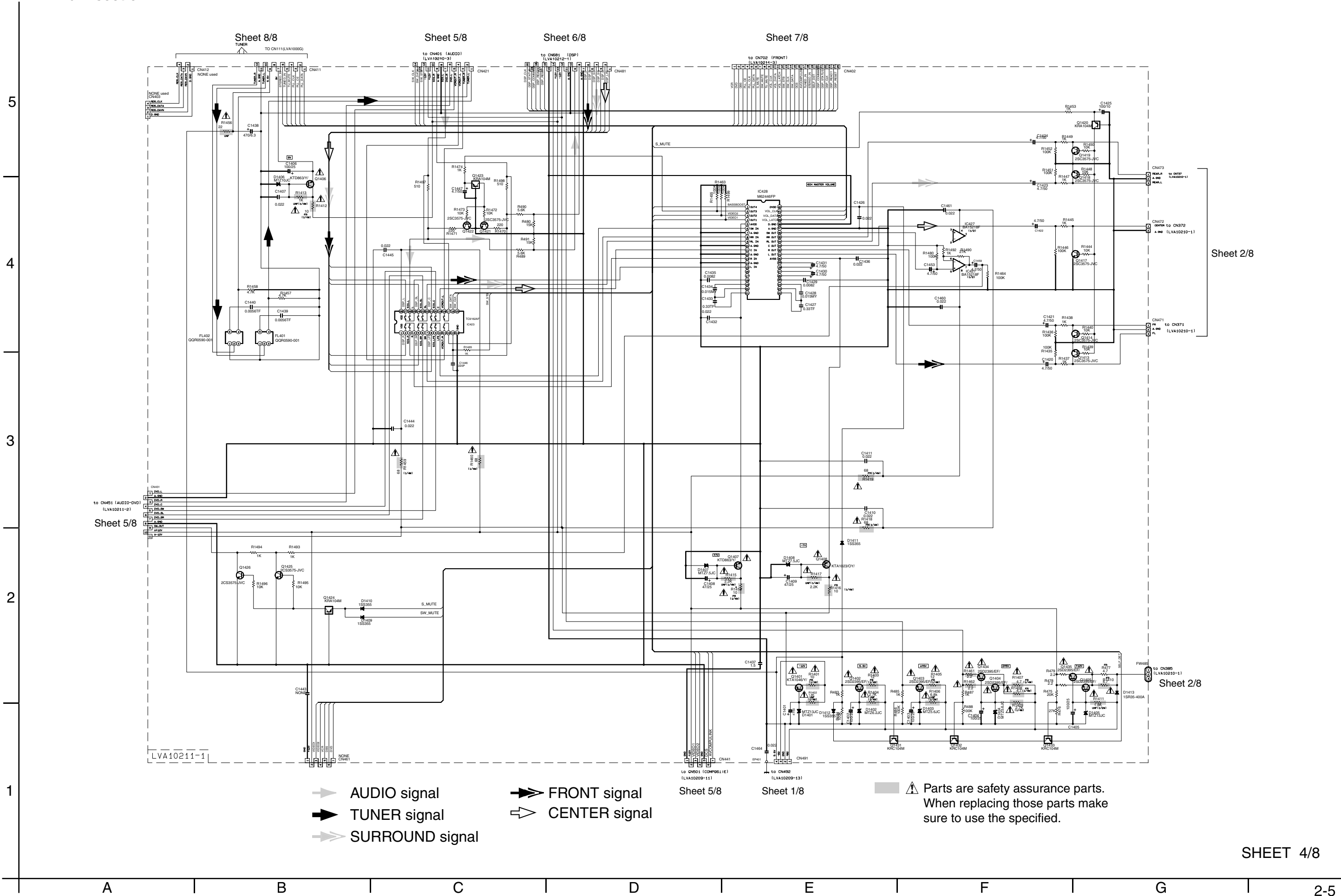


Sheet 2/8

Sheet 2/8

- ➡ SURROUND signal
- ➡ FRONT signal
- ➡ CENTER signal
- ⚠ Parts are safety assurance parts. When replacing those parts make sure to use the specified.

■ Main section



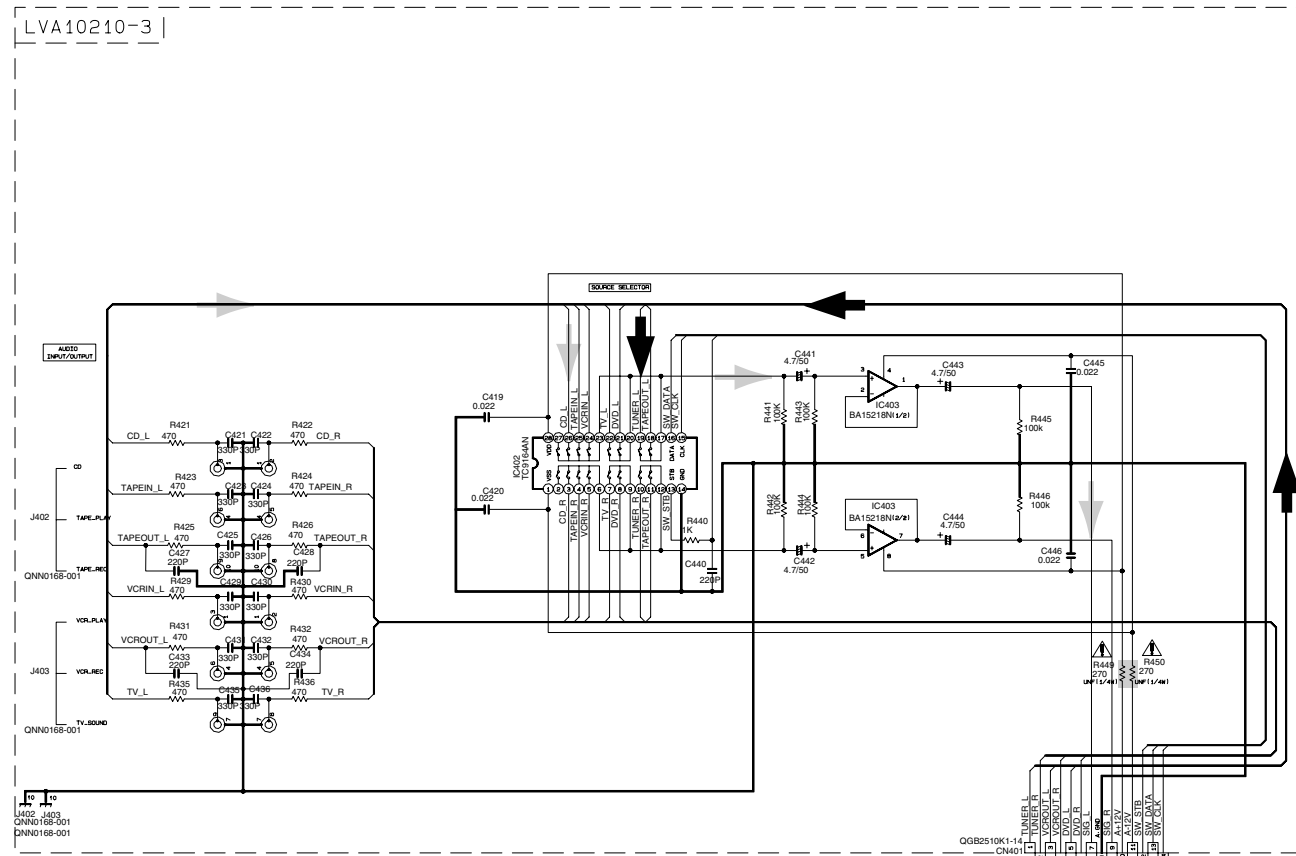
Sheet 2/8

Sheet 2/8

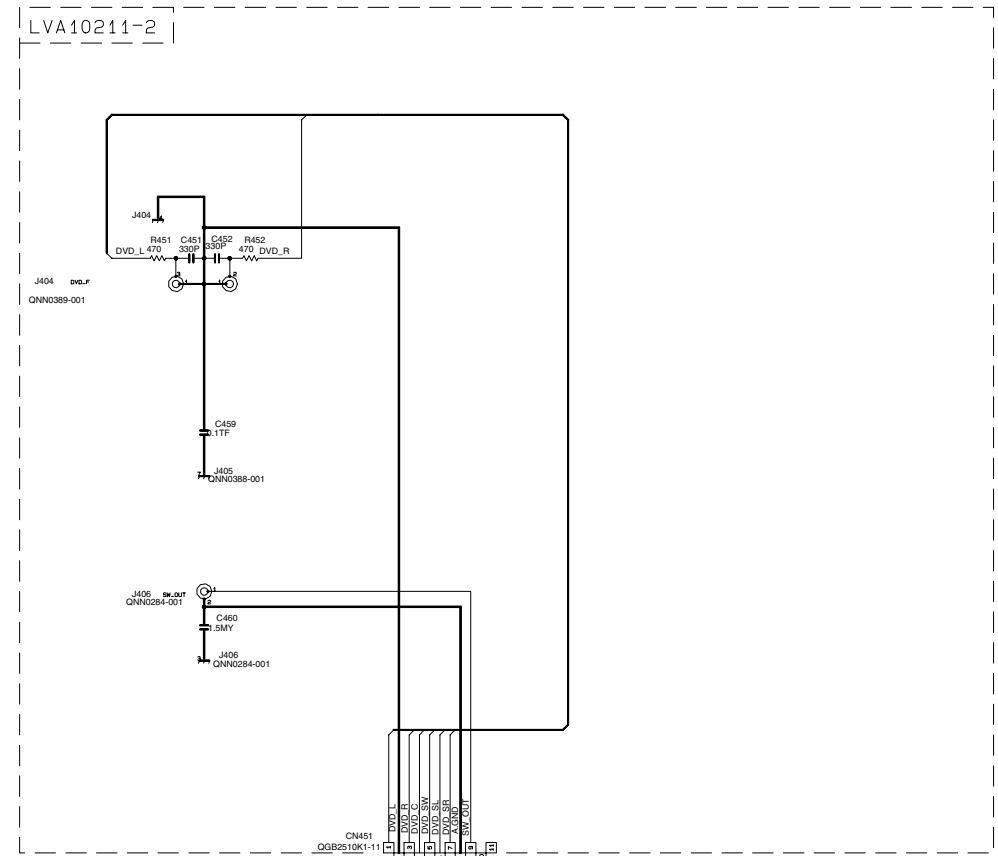
Sheet 5/8

Sheet 1/8

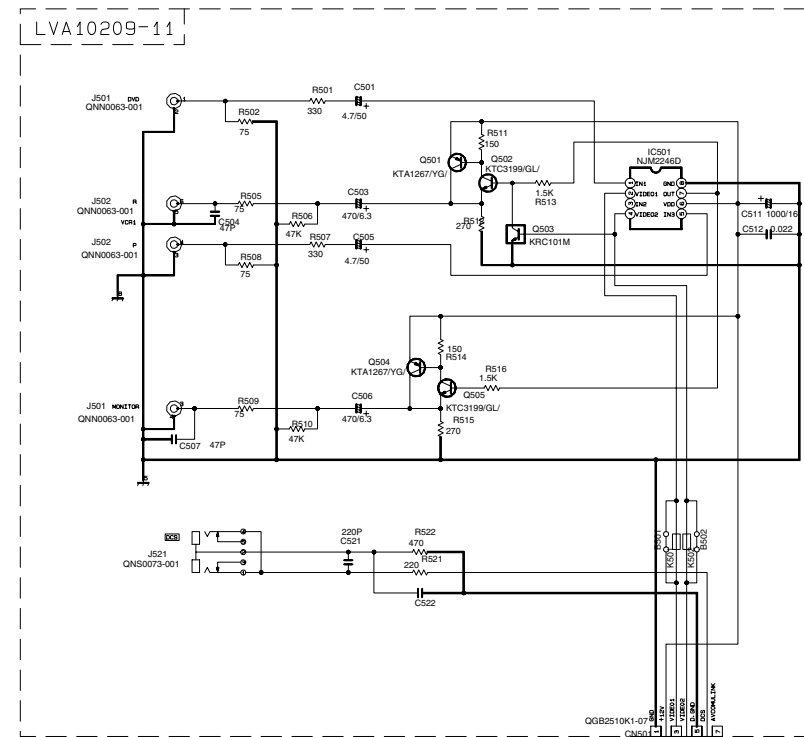
■ Audio / Video / DVD signal input section



Sheet 4/8



Sheet 4/8



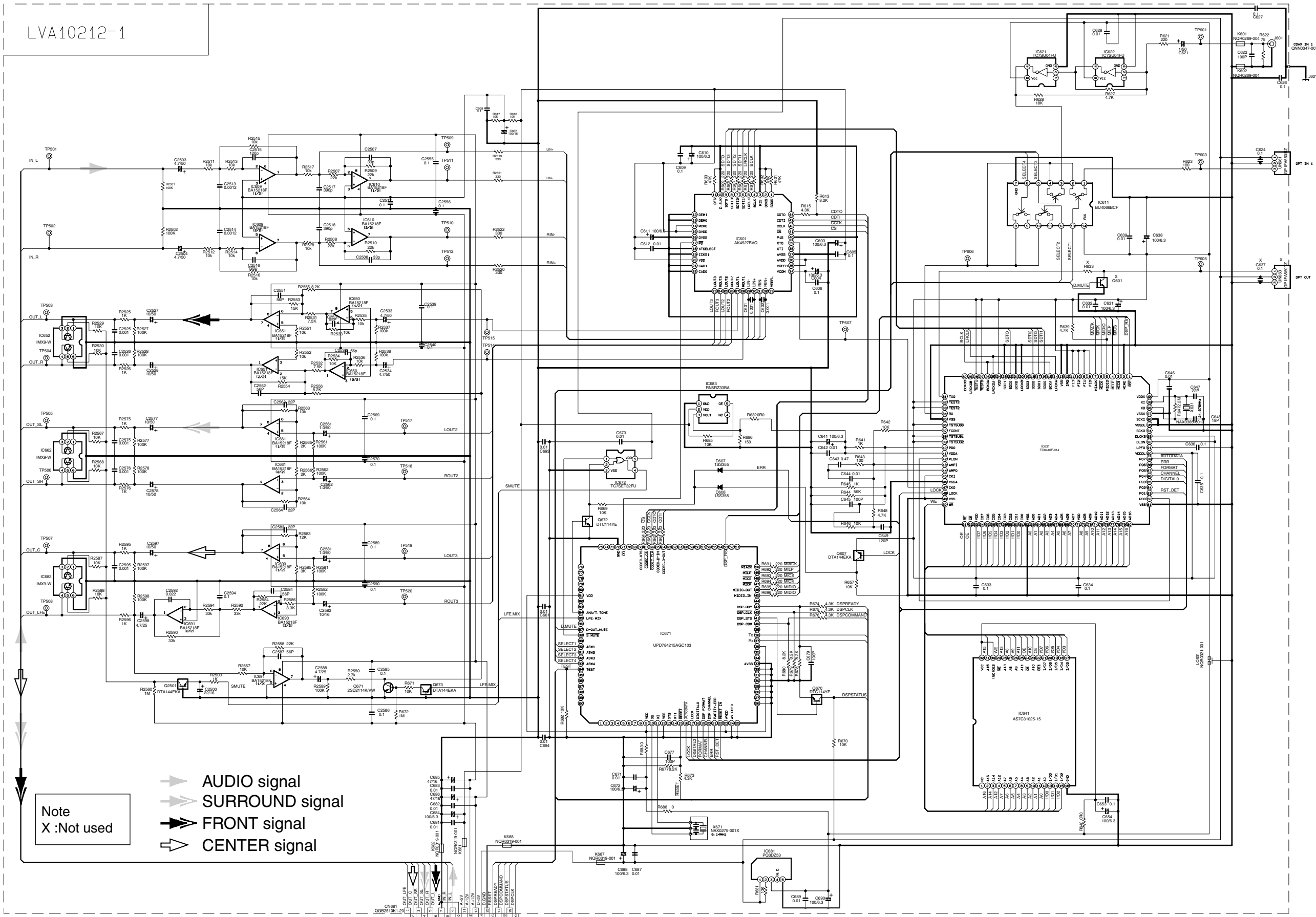
Sheet 4/8

➡ AUDIO signal
➡ TUNER signal

⚠ Parts are safety assurance parts. When replacing those parts make sure to use the specified.

DSP section

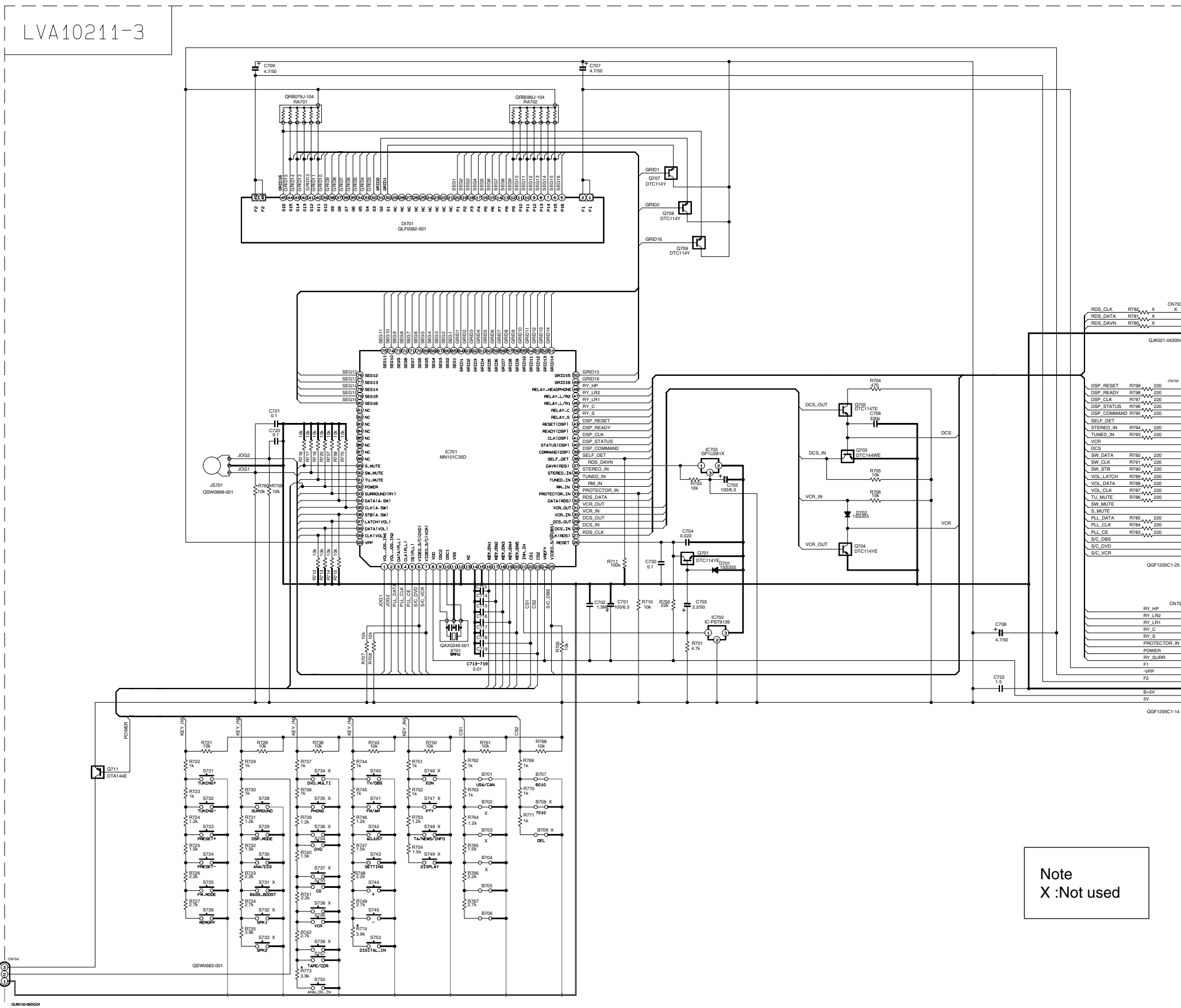
LVA10212-1



Note
X :Not used

- ➔ AUDIO signal
- ➔ SURROUND signal
- ➔ FRONT signal
- ➔ CENTER signal

System control and FL displaying section



Sheet 4/8

Sheet 1/8

■ Tuner section

FOR J, C, U, A

LVA10009

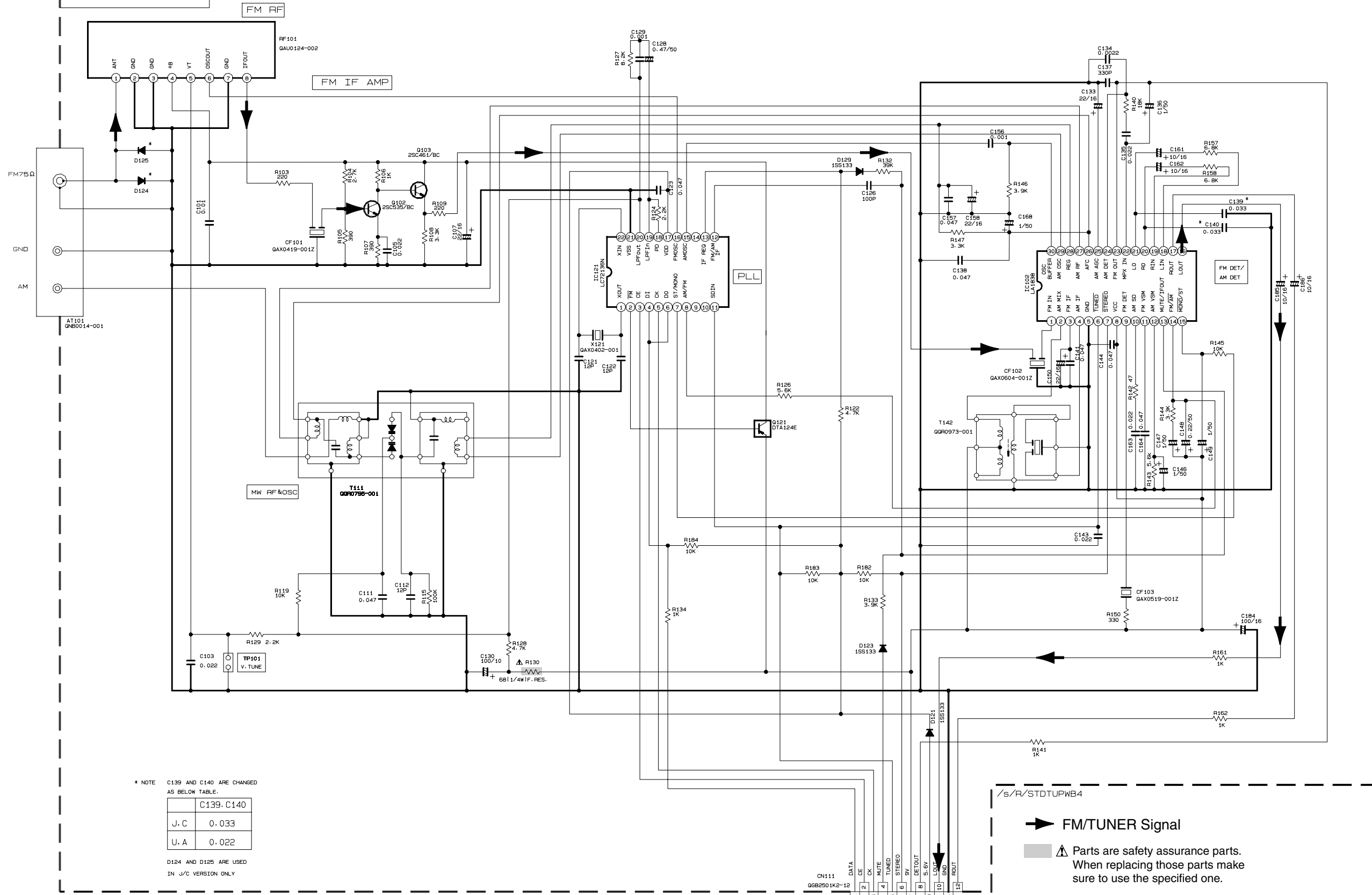
5

4

3

2

1



* NOTE C139 AND C140 ARE CHANGED AS BELOW TABLE.

	C139- C140
J. C	0.033
U. A	0.022

D124 AND D125 ARE USED IN J/C VERSION ONLY

- ➔ FM/TUNER Signal
- ⚠ Parts are safety assurance parts. When replacing those parts make sure to use the specified one.



Printed circuit boards

■ Main board

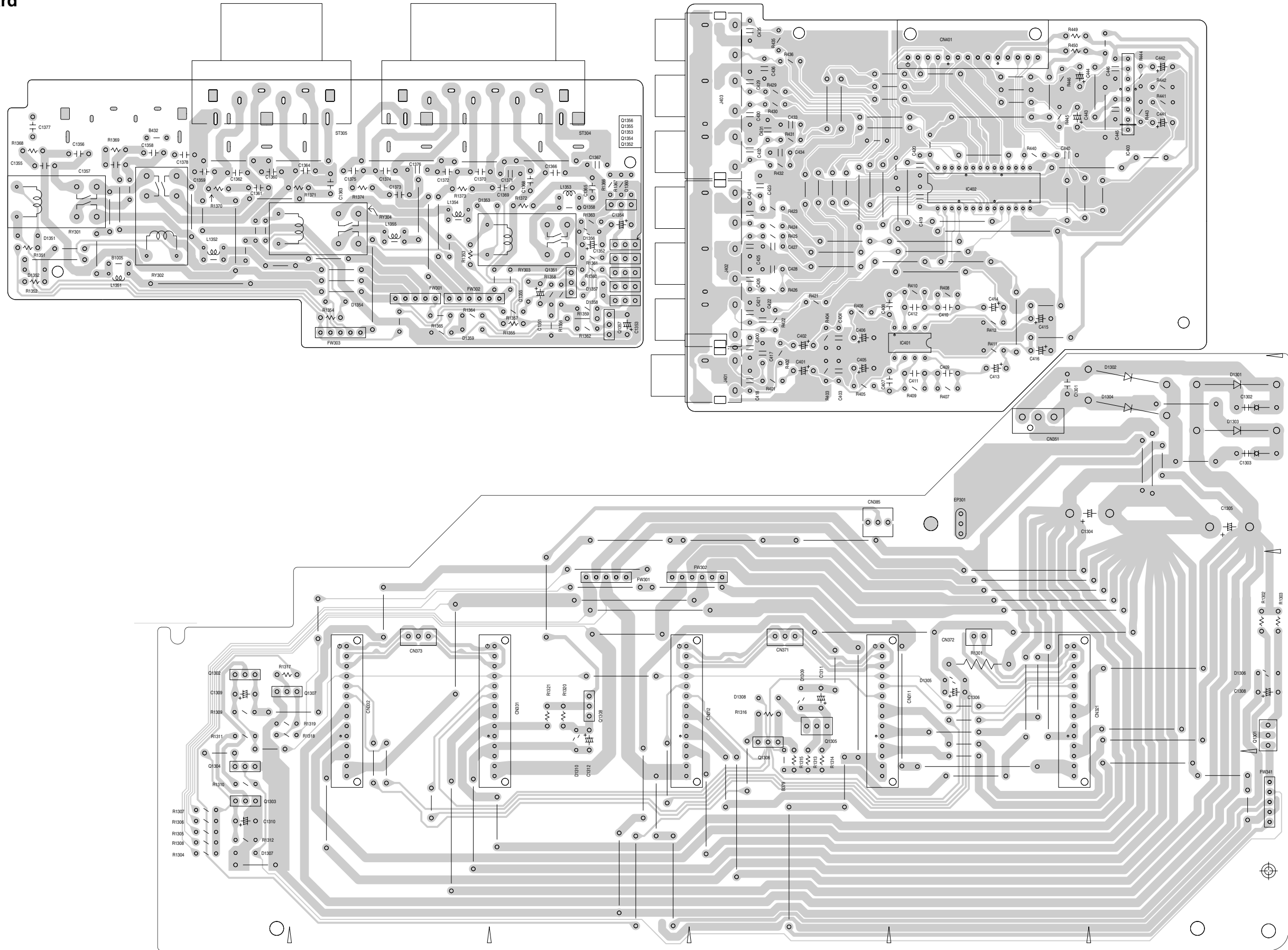
5

4

3

2

1



A

B

C

2-10

D

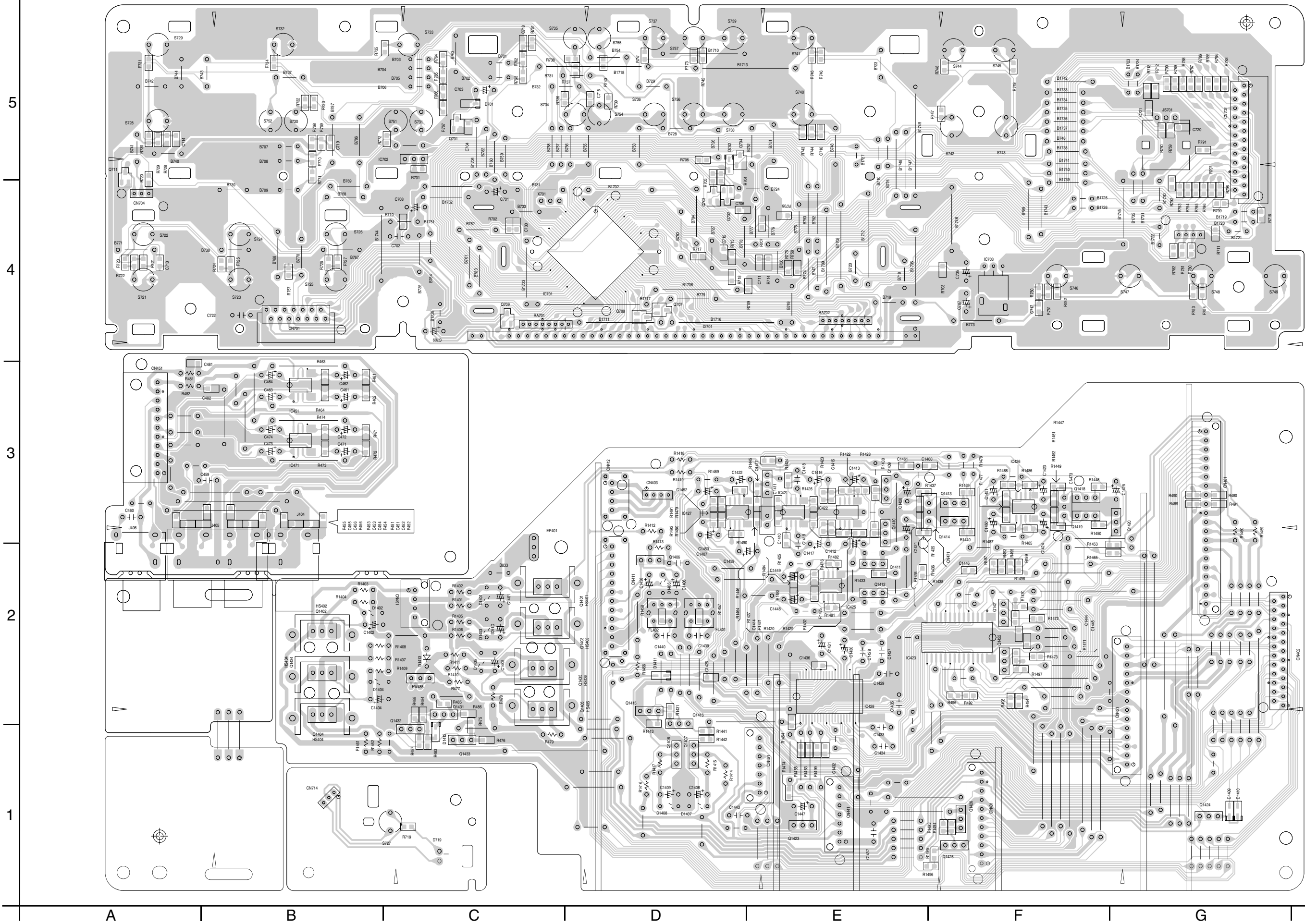
E

F

G

H

■ System control & Audio board



■ Power amp. board

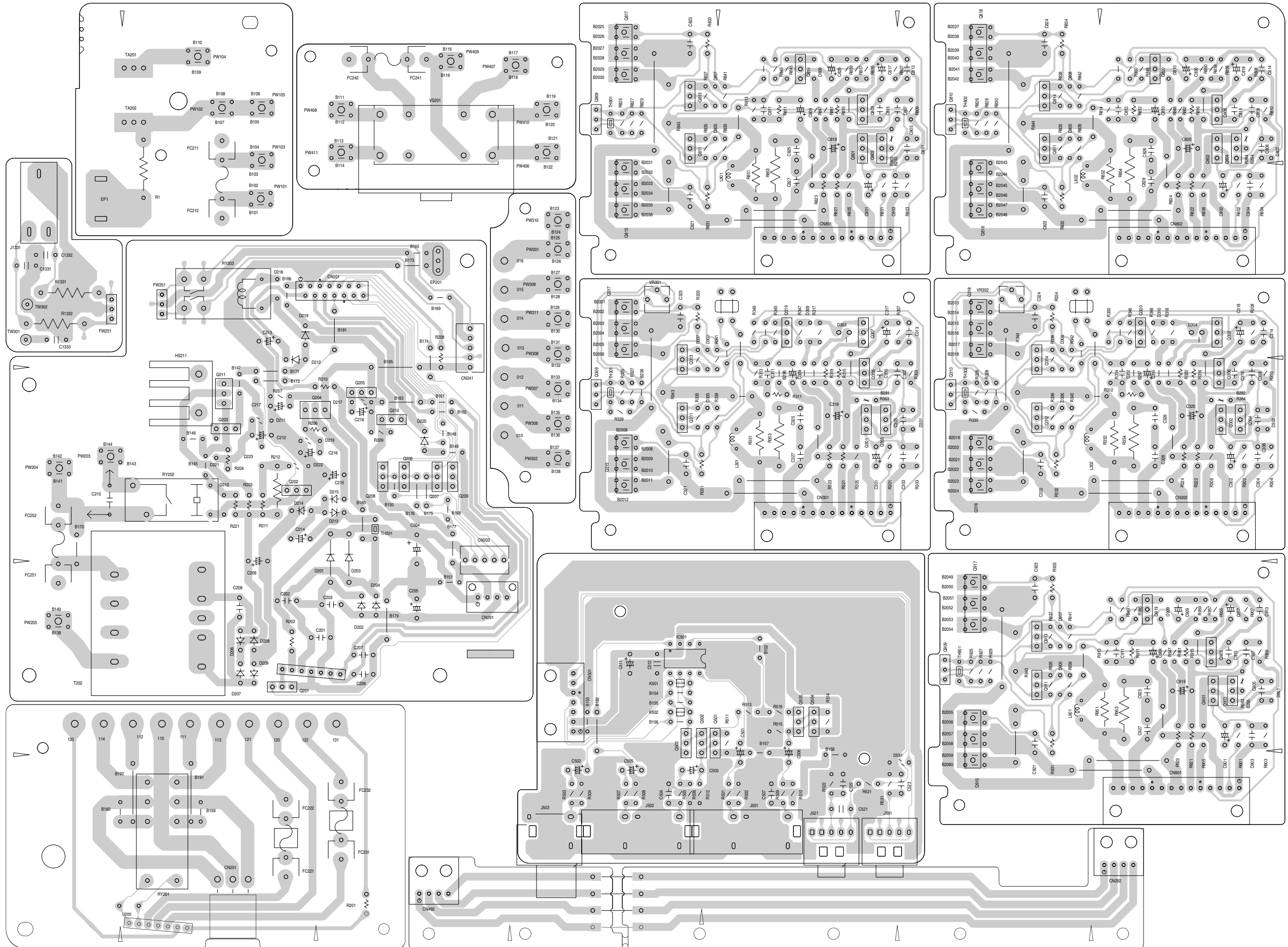
5

4

3

2

1



■ Tuner board

5

4

3

2

1

